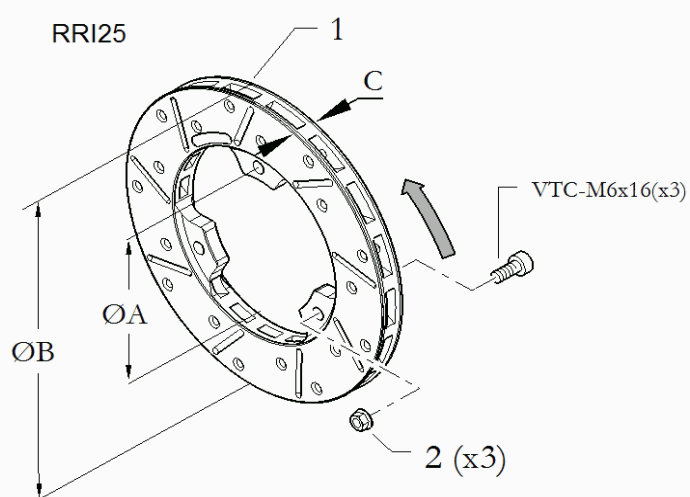


## BRAKE DISK REAR

GRr.m BIR018

POS	CODE	DESCRIPTION	C28-S15	RY30-S15	L28C-Y	B25-X	T/A-IV	Y30M	希望小売価格 (税別)
1	10.10535.00	BRAKE DISK V 80×180×16 G FLOAT,ASSY.		*				*	40,000
2	20.12231.06	BRAKE DISK FIX W 80×200×6A							20,000
3	20.10930.06	BRAKE DISK 80×166×5A	*		*	*			11,000
4	20.8997.06	BRAKE DISK FIX 66×180×8A					*		18,000
5	20.10233.06	FRONT BRAKE DISK W 80×150×5 A							18,000
6	20.12795.06	BRAKE DISK FIX 66×180×4A							13,400
7	20.10534.08	BRAKE DISK V 80×180×16 G FLOAT		*				*	28,000
8	20.10536.06	SUPPORT BRAKE DISK V 80×180×16 G FLOAT		*				*	5,000
9	10.10718.00	KIT BUSHING REAR BRAKE DISK 80×180×16		*				*	7,000
10	20.0889.06	BRAKE DISK BUSHING D.14		*				*	600
11	40.10570.00	WASHER 14×22×0,3		*				*	150
12	40.9305.00	WASHER 14×20×0,5		*				*	150
13	AAE-14	CIRCLIP DIN 471(UNI7435)		*				*	150



( A x B x C ) = ( 66 x 150 x 12 )

## BRAKE DISK FRONT

GRr.m BIR019

POS	CODE	DESCRIPTION	C28-S15	RY30-S15	L28C-Y	B25-X	TIA-IV	Y30M	希望小売価格 (税別)
1	20.10482.08	BRAKE DISK V 66×150×12 G FIXED							22,300
3	40.6349.00	LOCK NUT M6							150