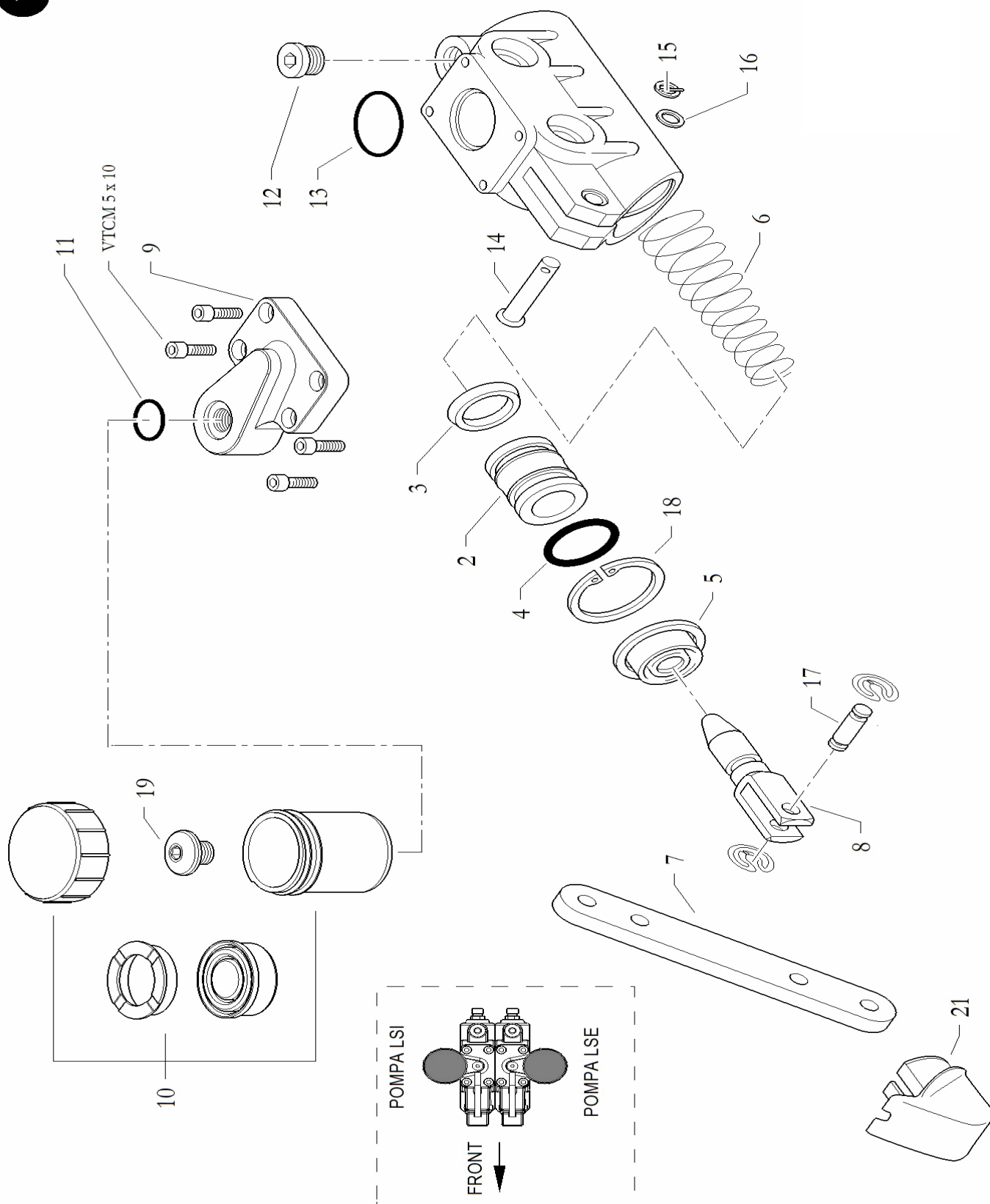


1



BRAKE MASTER CYLINDER 22SRR

GRr.m BIR086RR

POS	CODE	DESCRIPTION	C28-S15	RY30-S15	L28C-Y	B25-X	T1A-IV	Y30M	希望小売価格 (税別)
1	10.10527.00-NE	MASTER CYLINDER 22SRR LDI ASSY.	*	*			*	*	30,000
2	20.11380.10-DX	PISTON MASTER CYLINDER 22 SR EVO	*	*			*	*	4,200
3	40.1638.00	LIP SEAL 22 EPDM	*	*			*	*	560
4	40.4945.00	SEAL OR 17,86×2,62 EPDM	*	*			*	*	280
5	20.4887.20	RUBBER PROTECTION FOR BRAKE PUMP	*	*			*	*	330
6	20.4913.06	SPRING,MASTER CYLINDER 22 SR	*	*			*	*	570
7	20.1554.06	SINGLE PUMP LEVER 19/22	*	*			*	*	1,100
8	20.4900.06	MASTER CYLINDER FORK B	*	*			*	*	1,820
9	20.10526.10-NE	COVER MASTER CYLINDER 22 SRR	*	*			*	*	5,000
10	10.10525.00	TANK ASSEMBLY MASTER CYLINDER 22 SRR	*	*			*	*	2,200
11	40.4923.00	GROMMET OR 10,82×1,78 EPDM	*	*			*	*	280
12	40.4270.00	CYLINDRICAL CAP	*	*			*	*	840
13	40.4924.00	GROMMET OR 21,95×1,78 EPDM	*	*			*	*	280
14	20.15039.06	PIN TC 5×23,5	*	*			*	*	560
15	20.13165.06	CIRCLIP D.10*12 FILO d.1	*	*			*	*	280
16	40.7072.00	WASHER 5×9×0,5	*	*			*	*	140
17	20.0873.06	PIN 5×15	*	*			*	*	280
18	AAI-24	CIRCLIP UNI 7437	*	*			*	*	150
19	20.8353.06	PETROL TANK FIXING SCREWS	*	*			*	*	1,120
21	20.1859.18	PUMP COVER	*	*			*	*	380