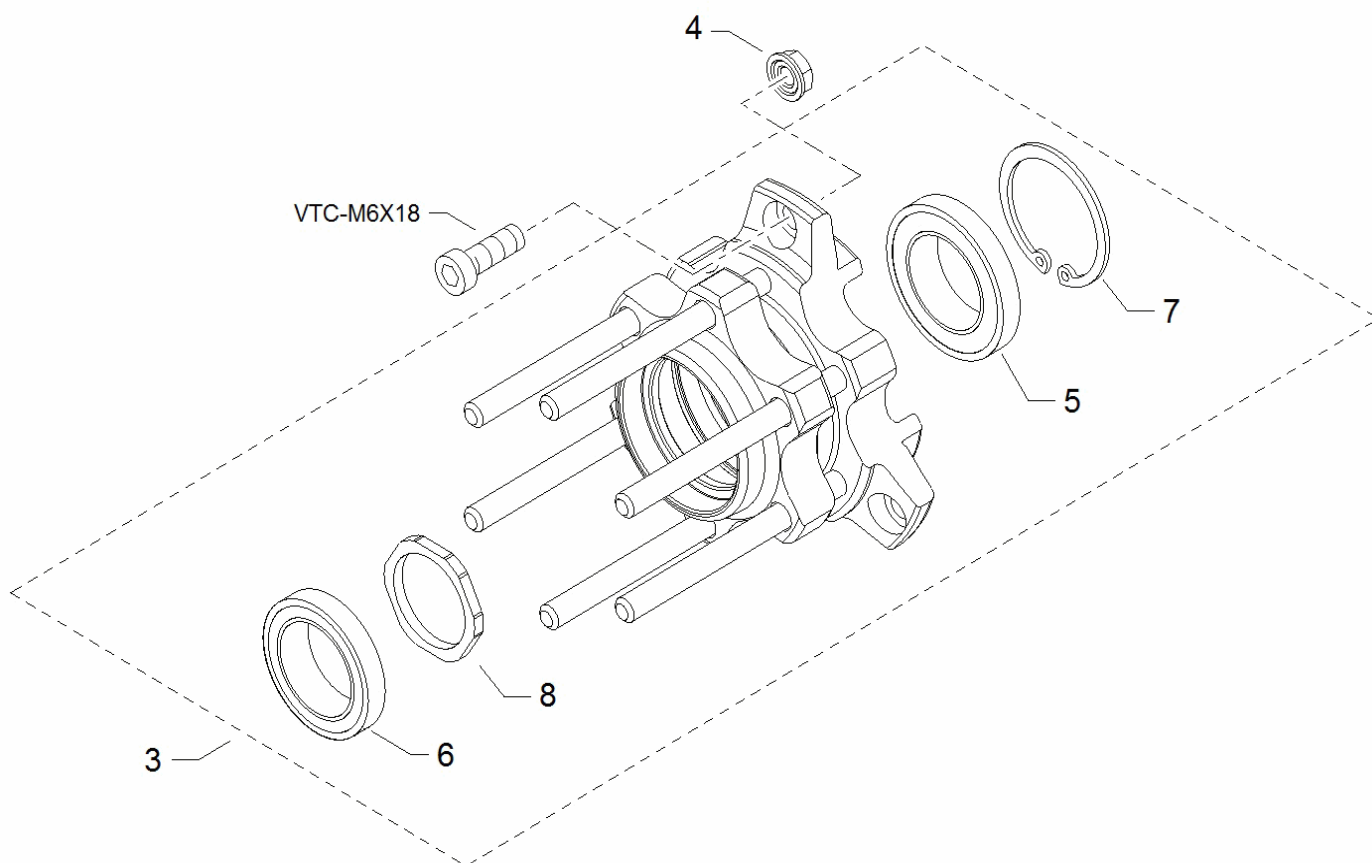


$$(A \times B - D) = (25 \times 80 - 6)$$



DISK CARRIER

GRr.m BIR021

POS	CODE	DESCRIPTION	C28-S15	RY30-S15	L28C-Y	B25-X	TIA-IV	Y30M	希望小売価格 (税別)
1	10.10319.00-NE	DISK CARRIER C 25×80-6A HQ			*	*			15,100
1	10.10274.00-NE	DISK CARRIER C 30×80-6A HQ 11	*						15,100
2	10.10814.00-NE	DISK CARRIER 40×80-8 A FIX, HQ							15,100
2	10.7189.00-NE	DISK CARRIER FIXED 40×66-8A HQ N35					*		15,100
2	10.8051.00-NE	DISK CARRIER 50×80-8 A FIX, HQ		*				*	15,100
2	10.9212.00-NE	DISK CARRIER 30×66-8 A FIX, HQ							15,100
3	10.11912.00-NE	DISK CARRIER FRONT 25/42×66-6/6A HQ							19,500
4	40.6349.00	LOCK NUT M6							150
5	40.9718.00	BEARING 6905 ZZ C3							1,300
6	40.9078.00	BEARING 6805 2Z 25×37×7							1,300
7	AAI-42	CIRCLIP UNI 7437							150
8	20.11949.06	SPACER 25,1×31,8×3							560