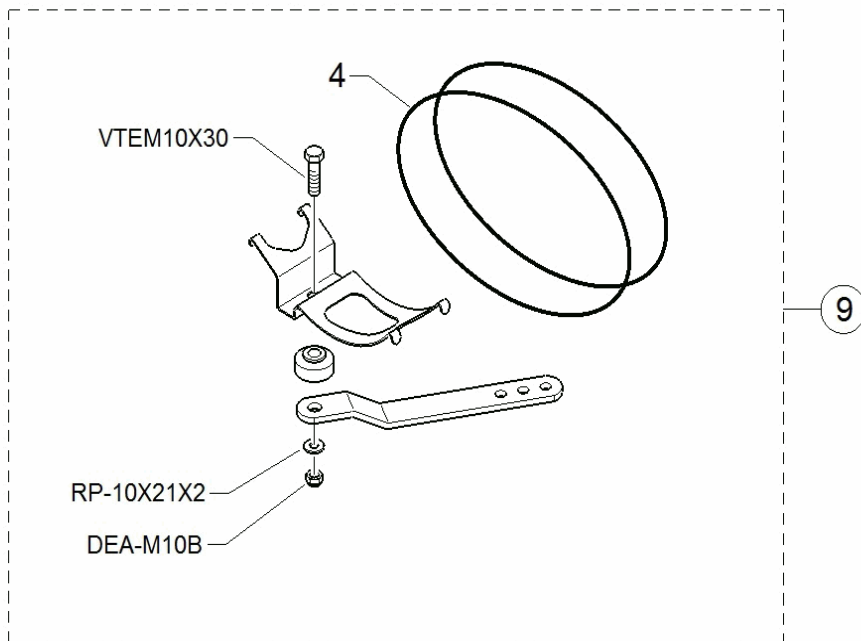
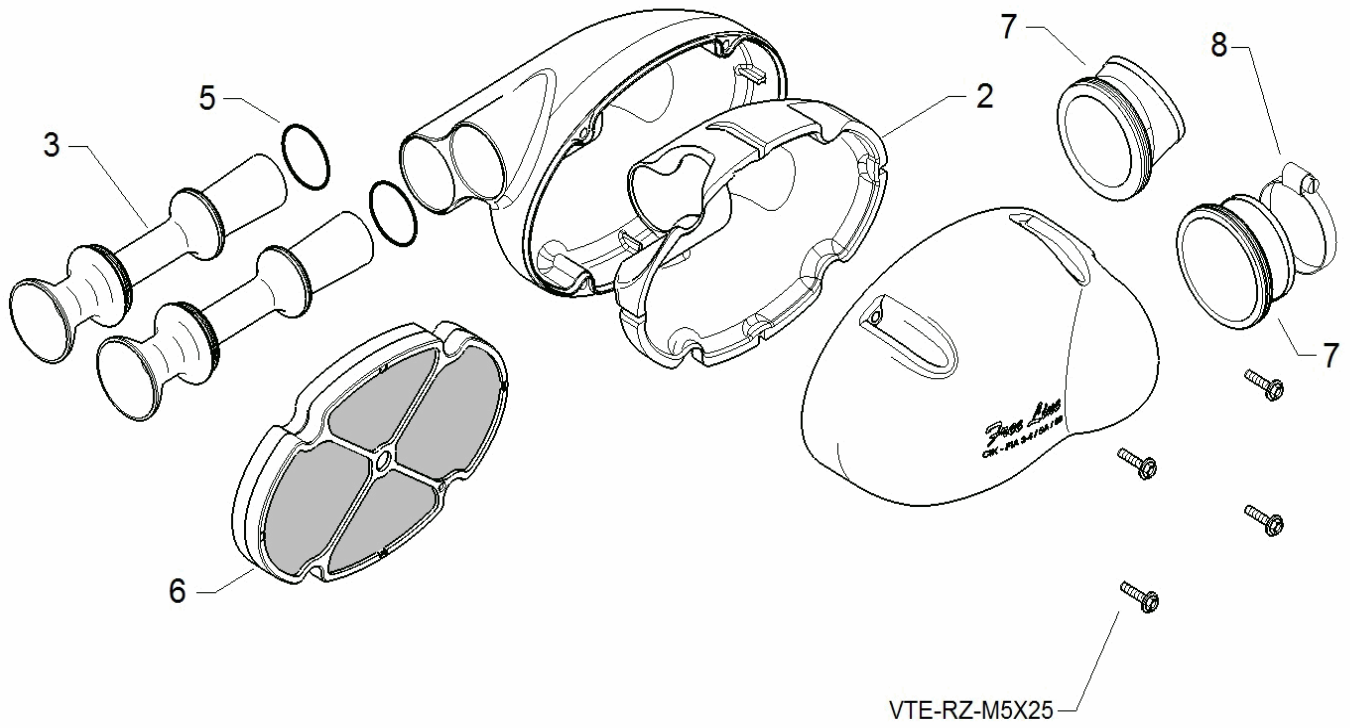


1



## INLET SILENCER

GRr.m BIR075

POS	CODE	DESCRIPTION	C28-S15	RY30-S15	L28C-Y	B25-X	TIA-IV	Y30M	希望小売価格 (税別)
1	10.7203.00-RO	INLET SILENCER B23R CIK10/18							19,600
1	10.7204.00-RO	INLET SILENCER B30R CIK10/18							19,600
2	20.7316.20	SOUND PROOF HALF HOLDER							5,000
3	20.7214.18	INLET SILENCER TUBE B23R							1,000
3	20.7215.18	INLET SILENCER TUBE B30R							1,000
4	40.7335.00	GROMMET 228.19×3.53 OR139 EPDM							500
5	40.7317.00	GROMMET 32.93×3.53 OR139 EPDM							110
6	10.9763.00	FILTER INSERT SA-18,ASSY.							4,200
7	20.1627.20	RUBBER CONNECTOR							1,300
8	40.5885.00	CLAMP 58-75/9							710
9	10.7339.00	KIT SUPPORT INLET SILENCER CIK04							7,600