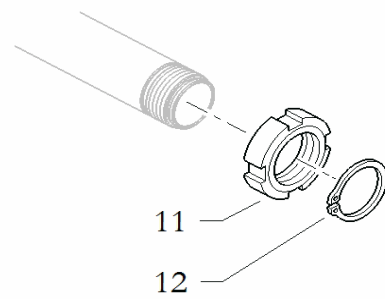
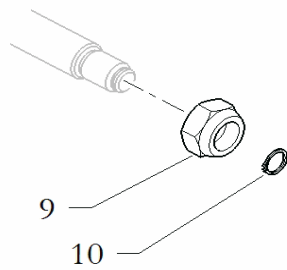


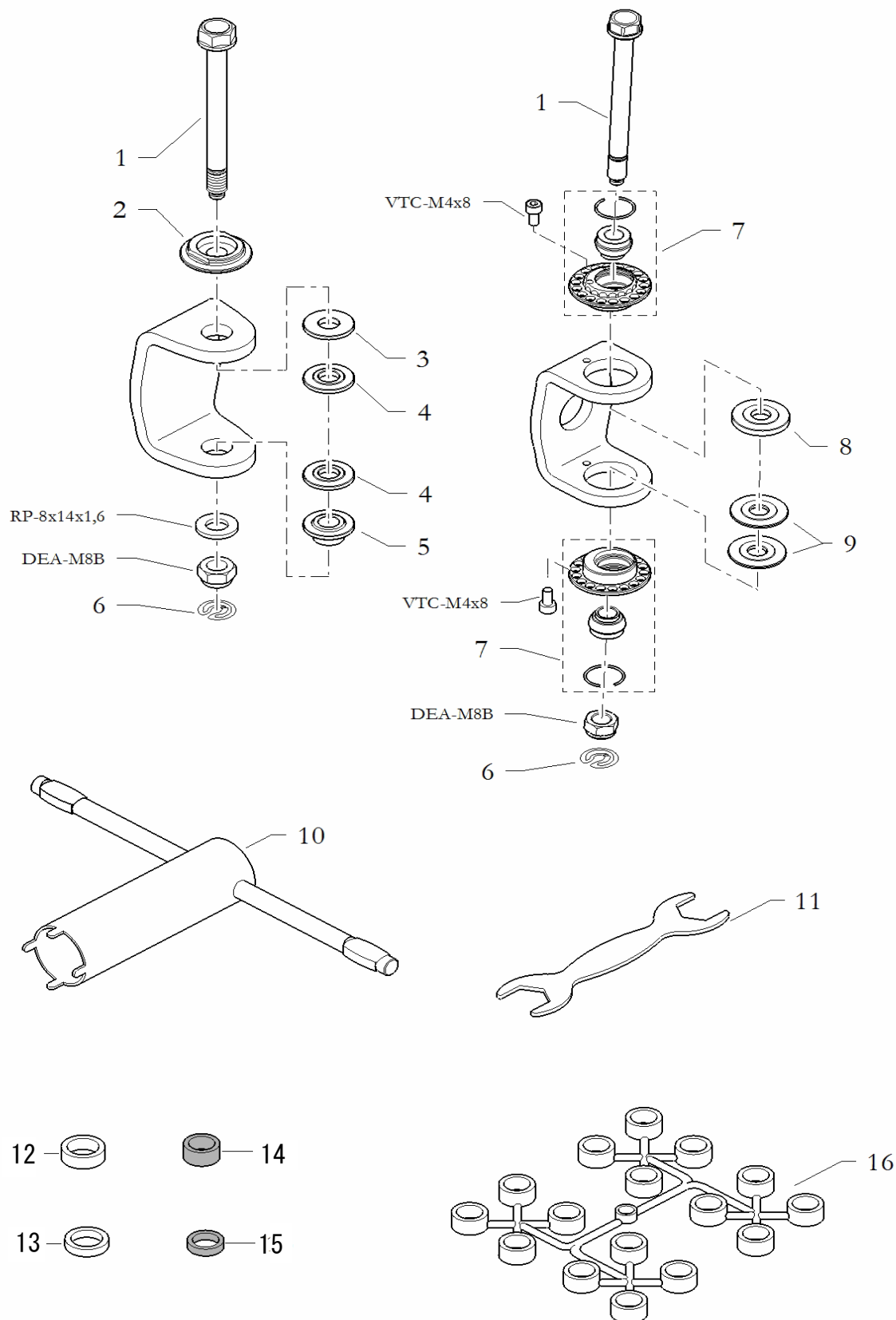
TYPE	VER.	STIFFNESS(KG)	FLEXIBILITY(%)
MOD.	VER.	DUREZZA(KG)	ELASTICITA'(%)
F	ST	52	10
B	OPT	42	30
M	OPT	60	30
K	OPT	82	18



SPINDLE

GRr.m BIR011

POS	CODE	DESCRIPTION	C28-S15	RY30-S15	L28C-Y	B25-X	TIA-IV	Y30M	希望小売価格 (税別)
1	10.11656.00	SPINDLE R. 10° KF3 ASSY.		*				*	32,300
1	10.11657.00	SPINDLE L. 10° KF3 ASSY.		*				*	32,300
2	10.11662.00	SPINDLE R. 10° KZ 2014 ASSY.							34,000
2	10.11663.00	SPINDLE L. 10° KZ 2014 ASSY.							34,000
4	10.13413.00	SPINDLE R. A-10×135-E/17/32 ASSY.2019				*			25,000
4	10.13414.00	SPINDLE L. A-10×135-E/17/32 ASSY.2019				*			25,000
4	10.12317.00	SPINDLE R. A-10×150-E/17/32 ASSY.2016	*		*				25,000
4	10.12318.00	SPINDLE L. A-10×150-E/17/32 ASSY.2016	*		*				25,000
4	10.12451.00	SPINDLE R. A-10×165-E/17/32 ASSY.2016					*		25,000
4	10.12452.00	SPINDLE L. A-10×165-E/17/32 ASSY.2016					*		25,000
5	20.9061.06	SPINDLE STEM L176 F		*				*	6,000
5	20.9061.06	SPINDLE STEM L176 B							6,000
5	20.9061.06	SPINDLE STEM L176 M							6,000
5	20.9061.06	SPINDLE STEM L176 K							6,000
6	40.7998.00	BEARING 8×26×8 ZZ	*	*	*	*	*	*	850
7	20.9797.18	WASHER 12×22,9×0,7	*	*	*	*	*	*	150
8	20.7999.06	SPACER SPINDLE 8×12×27.7	*	*	*	*	*	*	670
9	DEA-M14PF	NUT UNI 7474	*		*	*	*		160
10	AAE-11	CIRCLIP UNI 7435	*		*	*	*		120
11	20.7657.06	LOCK NUT PN. M 25×1,5		*				*	1,400
12	AAE-23	CIRCLIP DIN 471(UNI7435-75)		*				*	150



SPINDLE

GRr.m BIR011

POS	CODE	DESCRIPTION	C28-S15	RY30-S15	L28C-Y	B25-X	T/A-IV	Y30M	希望小売価格 (税別)
1	20.9703.06	SPINDLE AXLE SCREW MOD.2010	*	*		*		*	3,600
1	20.5096.06	BOLT M8×85			*		*		540
2	20.8537.06	SPINDLE AXLE BUSHING GRADUATED 0.5							2,000
2	20.8538.06	SPINDLE AXLE BUSHING GRADUATED 1.5							2,000
3	20.3717.06	SPACER 8×20×2,8							490
4	20.1098.06	SPACER 8×20×5,5					*		560
4	20.3645.10-LU	SPACER 8×20×2,75			*	*			720
5	20.0064.06	SPINDLE AXLE BUSHING			*	*	*		700
5	20.0171.06	ECCENTRIC BUSHING 1,5							1,400
5	20.1587.06	ECCENTRIC BUSHING 0,5							1,400
6	40.0217.00	CIRCLIP 3,1×11×1	*	*				*	150
7	10.11676.00	GRADUATED WASHER 23/0 MOD.2014,ASSY	*	*				*	5,000
7	10.11677.00	GRADUATED WASHER 23/0,5 MOD.2014,ASSY	*	*				*	6,800
7	10.11678.00	GRADUATED WASHER 23/1,5 MOD.2014,ASSY							6,800
8	20.11379.06	SPACER 8×25×4	*	*				*	700
9	20.9711.06	SPACER 8×25×2							700
10	10.7656.00	SPINDLE KEY d.36,ASSEMBLY		*				*	6,000
11	20.4662.06	CASTER ADJUSTER TOOL							1,300
12	20.9063.10-LU	SPACER 25×29×15 MTS		*				*	1,100
13	20.9064.10-LU	SPACER 25×29×5 MTS		*				*	980
14	20.0249.10-LU	SPACER 17×24×10 MTS	*			*			1,000
15	20.0263.10-LU	SPACER 17×24×5 MTS	*			*			920