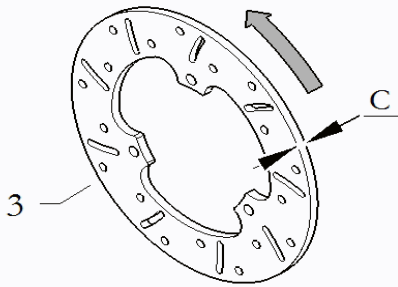
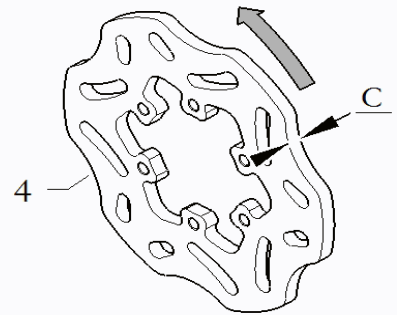


CXI28

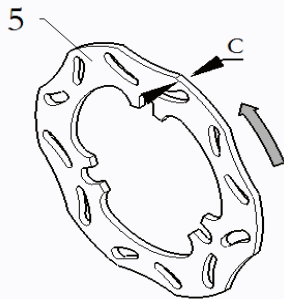


RI25



RI38 - B32

(AxBxC) = Ex. (80x200x6)

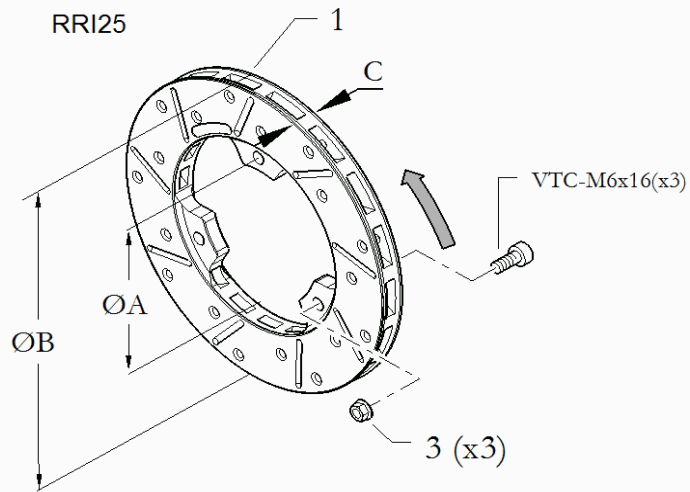


CXI24

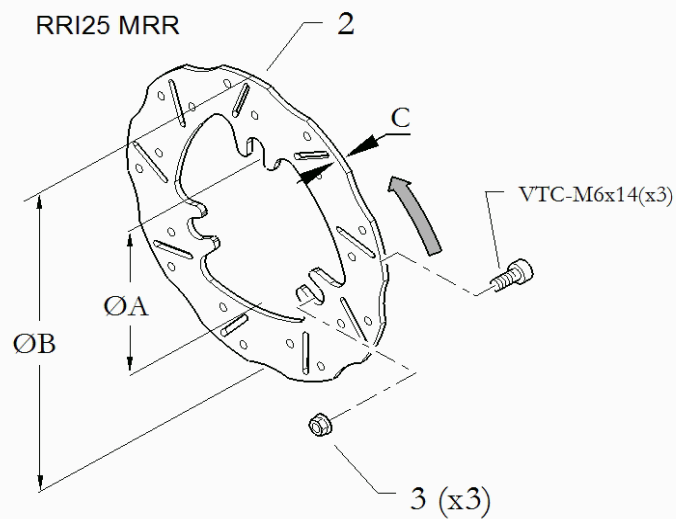
BRAKE DISK REAR

Gr.m BIR018

POS	CODE	DESCRIPTION	C28-Y	RY30-S8	TRY-III	TIA-IV	Y30L	希望小売価格 (税別)
1	3634.08.16	BRAKE DISK V 80×180×16 G FLOAT,ASSY.		*			*	25,000
2	1466.06.11	BRAKE DISK OSC. 80×200×6A						22,000
2	20.12231.06	BRAKE DISK FIX W 80×200×6A						
3	1466.06.16	BRAKE DISK 80×166×5A	*		*			8,500
4	1466.06.14	BRAKE DISK FIX 66×180×8A				*		9,000
5	1466.06.12-5	FRONT BRAKE DISK W 80×150×5 A						13,000
6	20.10534.08	BRAKE DISK V 80×180×16 G FLOAT		*			*	17,500
7	20.10536.06	SUPPORT BRAKE DISK V 80×180×16 G FLOAT		*			*	3,500
8	10.10718.00	KIT BUSHING REAR BRAKE DISK 80×180×16		*			*	4,000
9	20.0889.06	BRAKE DISK BUSHING D.14		*			*	500
10	40.10570.00	WASHER 14×22×0,3		*			*	100
11	40.9305.00	WASHER 14×20×0,5		*			*	100
12	AAE-14	CIRCLIP DIN 471(UNI7435)		*			*	100



$$(A \times B \times C) = (66 \times 150 \times 12)$$



$$(A \times B \times C) = (66 \times 150 \times 3)$$

BRAKE DISK FRONT

Gr.m BIR019

POS	CODE	DESCRIPTION	C28-Y	RY30-S8	TRY-III	TIA-IV	Y30L	希望小売価格 (税別)
1	3634.08.17	BRAKE DISK V 66×150×12 G FIXED						15,000
2	1466.06.15	FRONT BRAKE DISK 66×150×3 A OSCILL.						7,000
3	40.6349.00	LOCK NUT M6						100