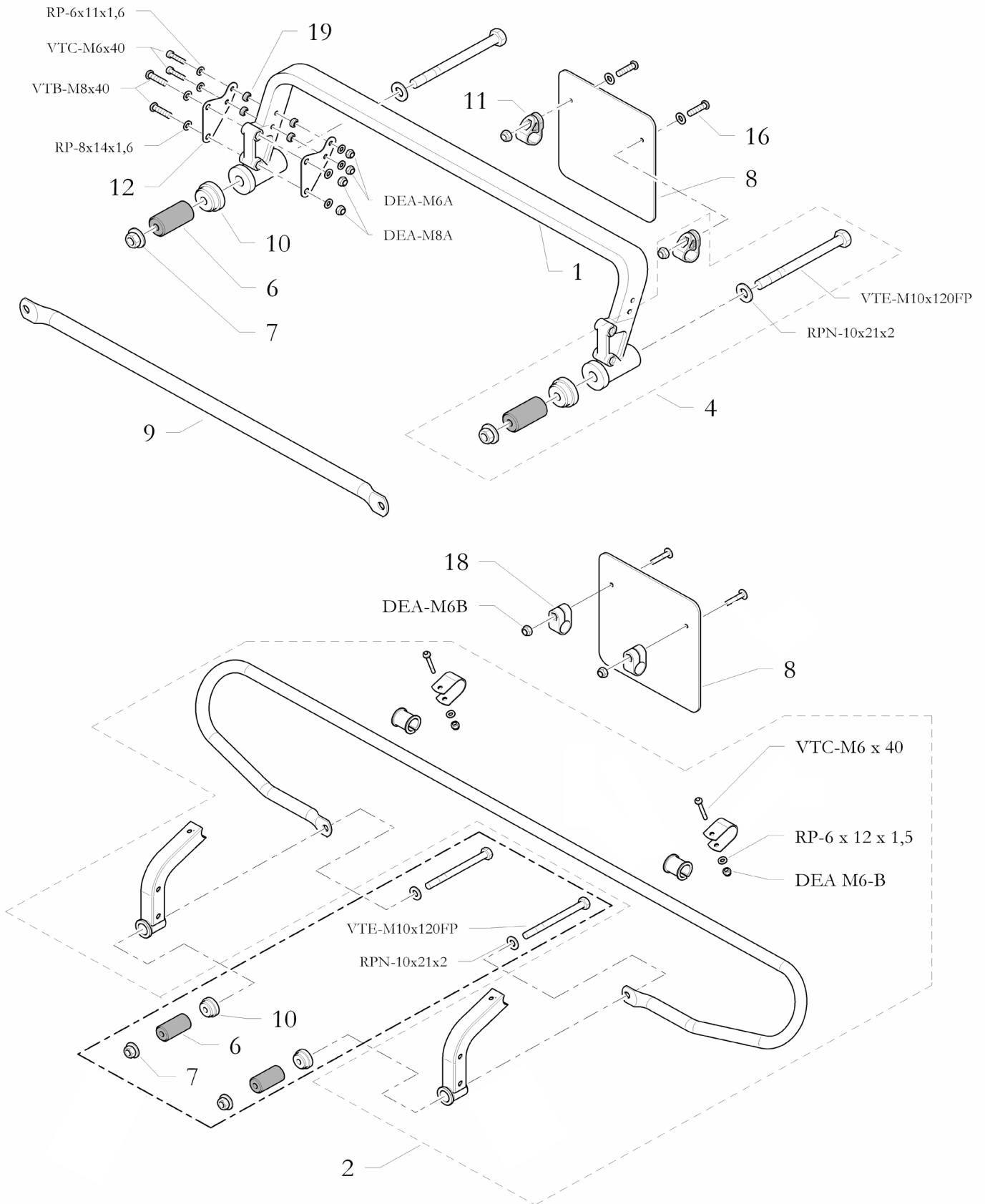


BUMPERS REAR

Gr.m BIR033



BUMPERS REAR

Gr.m BIR033

POS	CODE	DESCRIPTION	C28-Y	RY30-S8	TRY-III	TIA-IV	Y30L	希望小売価格 (税別)
1	10.0527.00	REAR BUMPER 580×150						9,300
1	10.0923.00	REAR BUMPER 620×150						9,300
2	10.7149.00	REAR BUMPER 1240×170 UK ASSY.						15,000
4	10.6112.00	MOUNTING KIT REAR BUMPER 30B						
4	10.6113.00	MOUNTING KIT REAR BUMPER 32B						
4	10.6879.00	MOUNTING KIT REAR BUMPER 28B						
6	20.0332.20	RUBBER FOR REAR BUMPER 30						500
6	20.1094.20	RUBBER FOR REAR BUMPER 28						500
6	20.3181.20	RUBBER FOR REAR BUMPER 32						500
7	40.0637.00	NUT FOR REAR BUMPER M10						200
8	20.0358.18-GL	NUMBER PLATE						800
9	20.2135.06	REAR BUMPER STIFFENING 580						3,400
9	20.2136.06	REAR BUMPER STIFFENING 620						3,400
10	20.4515.10-LU	BUSHING REAR BUMPER 30						1,000
10	20.4516.10-LU	BUSHING REAR BUMPER 32						1,000
10	20.7703.10-RO	BUSHING REAR BUMPER 28						1,000
11	20.1591.18	CLAMP FOR REAR NUMBER PLATE						300
12	20.7169.06	REAR BUMPER STIFFENING						600
16	VTBCF-M6×20	CONVEX SCREW CF						70
18	20.4011.18	CLAMP d.20						300
19	20.1098.06	SPACER 8×20×5,5						400



MUFFLER SUPPORT

Gr.m BIR033A

POS	CODE	DESCRIPTION	C28-Y	RY30-S8	TRY-III	TIA-IV	Y30L	希望小売価格 (税別)
1	10.2089.00	MUFFLER CRADLE COMPL.	*	*	*	*	*	2,000
2	20.0223.06	EXHAUST SPRING	*	*	*	*	*	250
3	20.0395.06	MUFFLER CRADLE	*	*	*	*	*	1,500
4	40.0334.00	RUBBER	*	*	*	*	*	240
5	20.1612.06	MUFFLER CRADLE HOLDER 25×100	*	*	*	*	*	700
6	20.0123.06	MUFFLER BRACKET 140×80						1,000
7	20.1921.06	MUFFLER BRACKET 100×100						1,000
8	20.11591.06	MUFFLER CRADLE SUPPORT HOLDER R	*	*	*		*	3,800
	20.10420.06	MUFFLER CRADLE HOLDER R30				*		1,500
9	20.4524.10	CLAMP FOR TORSION BAR 30						3,000
10	20.7285.10-LU	SILENCER ALUMINIUM SUPPORT						4,000
11	20.0917.06	SPRING 50, EXHAUST MANIFOLD						400
11	20.0918.06	SPRING 40, EXHAUST MANIFOLD						250