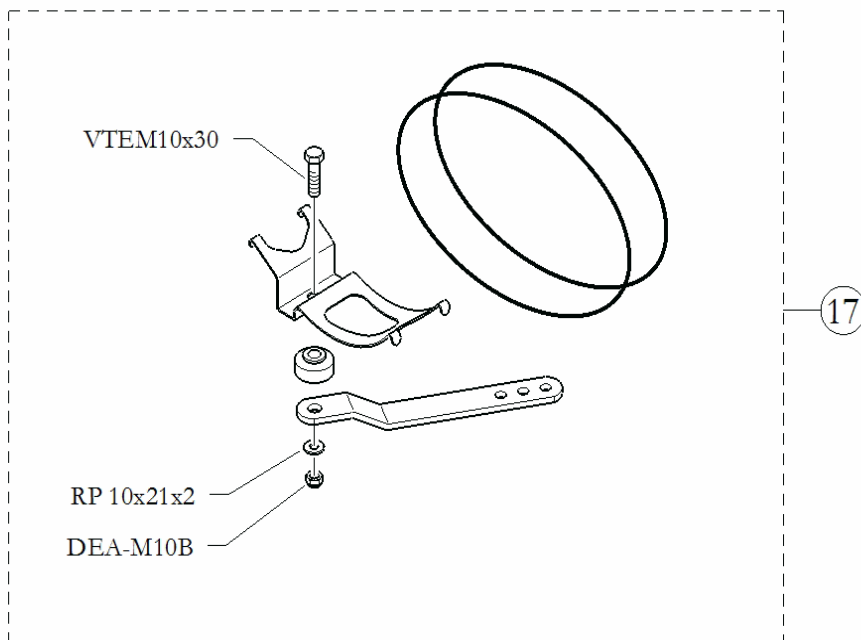
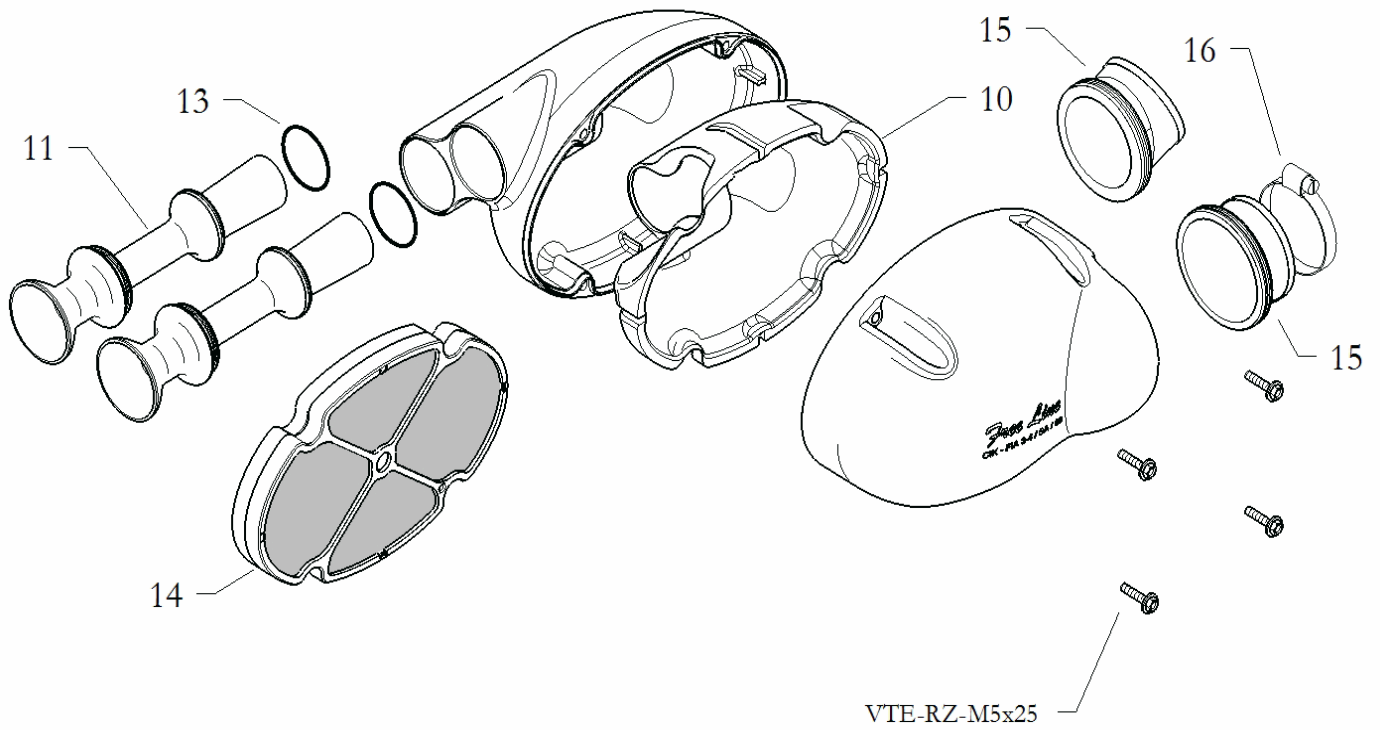


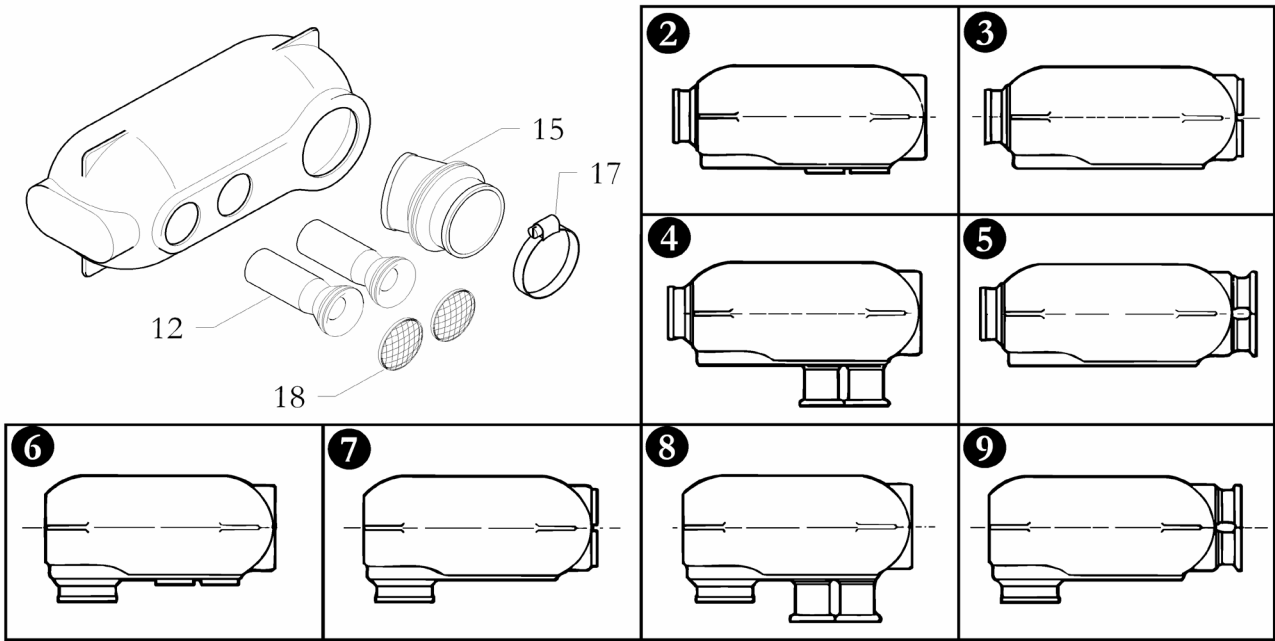
1



# INLET SILENCERS

Gr.m BIR075

POS	CODE	DESCRIPTION	C28-Y	RY30-S8	TRY-III	TIA-IV	Y30L	希望小売価格 (税別)
1	6680.00.01-RO	INLET SILENCER B23R CIK10/18						12,000
1	6680.00.02-RO	INLET SILENCER B30R CIK10/18						12,000
10	20.7316.20	SOUND PROOF HALF HOLDER						3,800
11	20.7214.18	INLET SILENCER TUBE B23R						800
11	20.7215.18	INLET SILENCER TUBE B30R						800
13	40.7317.00	GROMMET 3.93×3.53 OR139 EPDM						60
14	10.9763.00	FILTER INSERT SA-18,ASSY.						2,400
15	20.1627.20	RUBBER CONNECTOR						1,200
16	40.5885.00	CLAMP 58-75/9						650
17	10.7339.00	KIT SUPPORT INLET SILENCER CIK04						7,000



# INLET SILENCERS

Gr.m BIR075A

POS	CODE	DESCRIPTION	C28-Y	RY30-S8	TRY-III	TIA-IV	Y30L	希望小売価格 (税別)
2	1750.00.50-RO	INLET SILENCER AL22PS						4,200
3	1750.00.51-RO	INLET SILENCER AL22PD						4,200
4	1750.00.54-RO	INLET SILENCER AL29PS						4,200
5	1750.00.55-RO	INLET SILENCER AL29PD						4,200
6	1750.00.52-RO	INLET SILENCER AV22PS						4,200
7	1750.00.53-RO	INLET SILENCER AV22PD						4,200
8	1750.00.56-RO	INLET SILENCER AV29PS						4,200
9	1750.00.57-RO	INLET SILENCER AV29PD						4,200
12	20.1626.18	INLET SILENCER TUBE,22						400
12	20.1637.18	INLET SILENCER TUBE,29 PD						500
12	20.1916.18	INLET SILENCER TUBE,29 PS						500
15	20.1627.20	RUBBER CONNECTOR						1,200
17	40.5885.00	CLAMP 58-75/9						650
18	20.4080.18	INLET PROTECTION 22						250
18	20.4081.18	INLET PROTECTION 29						250