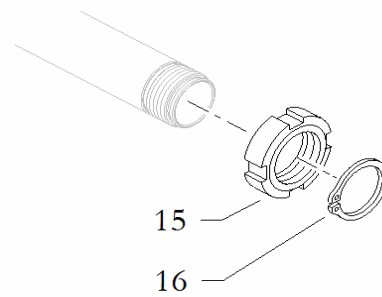
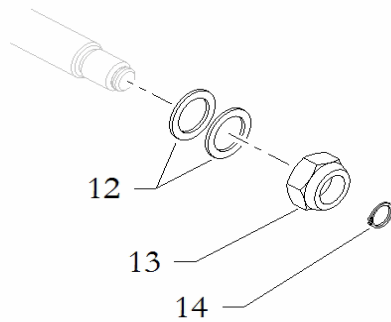


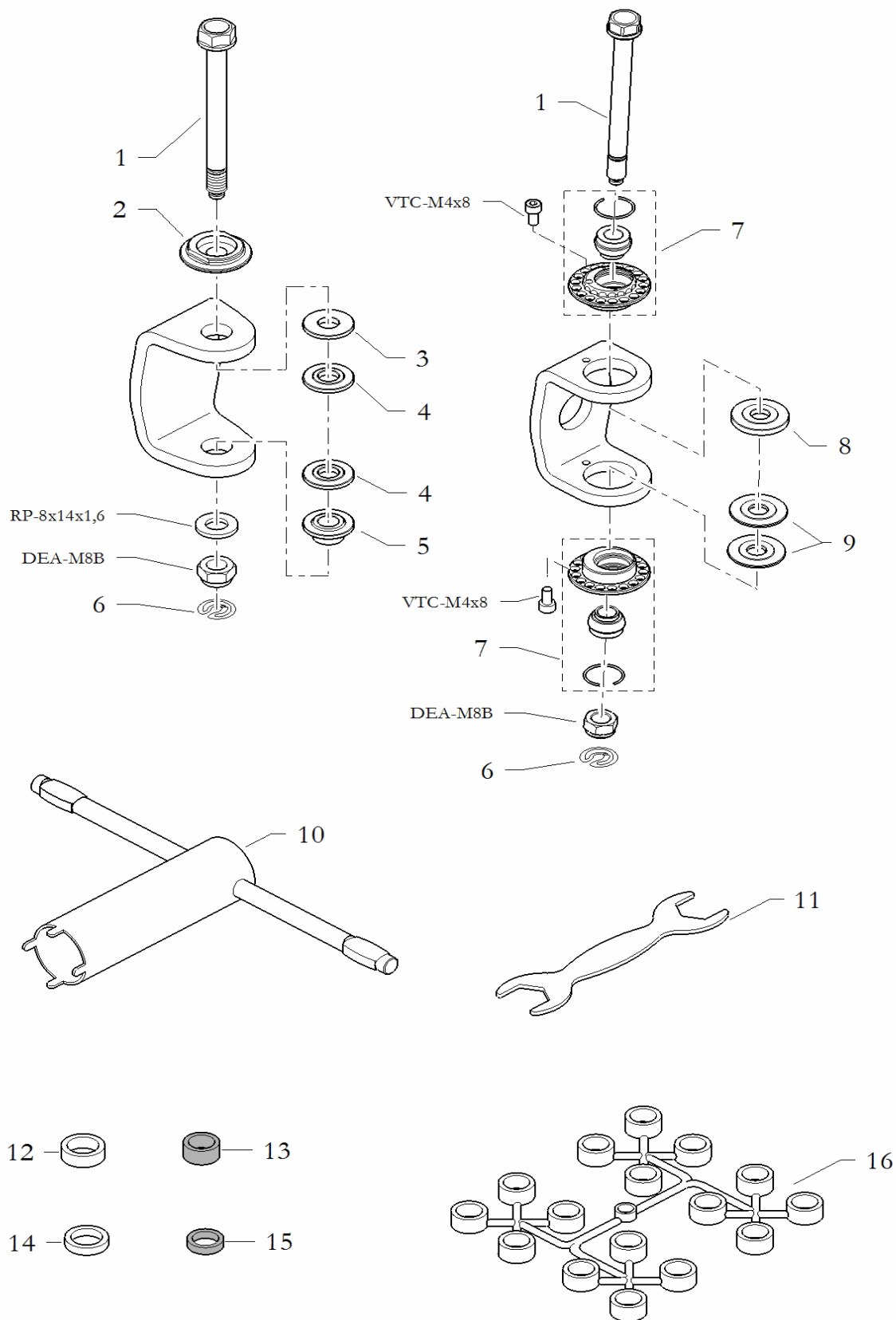
TYPE	VER.	STIFFNESS(KG)	FLEXIBILITY(%)
MOD.	VER.	DUREZZA(KG)	ELASTICITA'(%)
F	ST	52	10
B	OPT	42	30
M	OPT	60	30
K	OPT	82	18



SPINDLES

Gr.m BIR011

POS	CODE	DESCRIPTION	C28-Y	RY30-S8	TRY-III	TIA-IV	Y30L	希望小売価格 (税別)
1	10.11656.00	SPINDLE R. 10° KF3 2014 ASSY.		*			*	19,000
1	10.11657.00	SPINDLE L. 10° KF3 2014 ASSY.		*			*	19,000
2	10.11662.00	SPINDLE R. 10° KZ 2014 ASSY.						23,000
2	10.11663.00	SPINDLE L. 10° KZ 2014 ASSY.						23,000
3	10.8479.00	SPINDLE R. A-10×135-E/17/32 ASSY.						12,700
3	10.8480.00	SPINDLE L. A-10×135-E/17/32 ASSY.						12,700
3	10.8484.00	SPINDLE R. A-10×150-E/17/32 ASSY.			*			11,700
3	10.8485.00	SPINDLE L. A-10×150-E/17/32 ASSY.			*			11,700
3	10.8489.00	SPINDLE R. A-10×165-E/17/32 ASSY.				*		12,700
3	10.8490.00	SPINDLE L. A-10×165-E/17/32 ASSY.				*		12,700
4	10.12317.00	SPINDLE R.10×150-E17/32 MINI ASSY.2016	*					15,500
4	10.12318.00	SPINDLE L.10×150-E17/32 MINI ASSY.2016	*					15,500
8	20.3891.06	SPACER 8×12×29			*	*		400
8	20.7999.06	SPACER SPINDLE 8×12×27.7	*	*			*	400
9	40.7998.00	BEARING 8×26×8 ZZ	*	*	*	*	*	600
10	20.9797.18	WASHER 12×22,9×0,7	*	*	*	*	*	100
11	20.9061.06	SPINDLE STEM L176 F		*			*	4,000
11	20.9061.06	SPINDLE STEM L176 B						4,000
11	20.9061.06	SPINDLE STEM L176 M						4,000
11	20.9061.06	SPINDLE STEM L176 K						4,000
12	40.9022.00	WASHER 17×24×0,2						100
12	40.9023.00	WASHER 17×24×0,5						100
13	DEA-M14PF	NUT UNI 7474	*		*	*		140
14	AAE-11	CIRCLIP UNI 7435						100
15	20.7657.06	LOCK NUT PN. M 25×1,5		*			*	1,000
16	AAE-23	CIRCLIP DIN 471(UNI7435-75)		*			*	100



SPINDLES

Gr.m BIR011A

POS	CODE	DESCRIPTION	C28-Y	RY30-S8	TRY-III	TIA-IV	Y30L	希望小売価格 (税別)
1	20.9703.06	SPINDLE AXLE SCREW MOD.2010	*	*	*		*	2,000
1	20.5096.06	BOLT M8 × 85				*		500
2	20.8537.06	SPINDLE AXLE BUSHING GRADUATED 0.5V						1,400
2	20.8538.06	SPINDLE AXLE BUSHING GRADUATED 1.5V						1,400
3	20.3717.06	SPACER 8 × 20 × 2,8						450
4	20.1098.06	SPACER 8 × 20 × 5,5				*		400
4	20.3645.10-LU	SPACER 8 × 20 × 2,75						500
5	20.0064.06	SPINDLE AXLE BUSHING				*		500
5	20.0171.06	ECCENTRIC BUSHING 1,5						1,200
5	20.1587.06	ECCENTRIC BUSHING 0,5						1,200
6	40.0217.00	CIRCLIP 3,1 × 11 × 1	*	*	*	*	*	100
7	10.11676.00	GRADUATED WASHER 23/0 MOD.2014,ASSY	*	*	*		*	3,500
7	10.11677.00	GRADUATED WASHER 23/0,5 MOD.2014,ASSY	*	*			*	3,500
7	10.11678.00	GRADUATED WASHER 23/1,5 MOD.2014,ASSY						3,500
8	20.11379.06	SPACER 8 × 25 × 4	*	*	*		*	550
9	20.9711.06	SPACER 8 × 25 × 2	*	*			*	500
10	10.7656.00	SPINDLE KEY d.36,ASSEMBLY		*			*	4,800
11	20.4662.06	CASTER ADJUSTER TOOL						700
12	20.9063.10-LU	SPACER 25 × 29 × 15 MTS		*			*	800
13	20.0249.10-LU	SPACER 17 × 24 × 10 MTS	*					600
14	20.9064.10-LU	SPACER 25 × 29 × 5 MTS		*			*	700
15	20.0263.10-LU	SPACER 17 × 24 × 5 MTS	*					600
16	10.2000.00	WHEEL SPACER GROUP			*	*		700