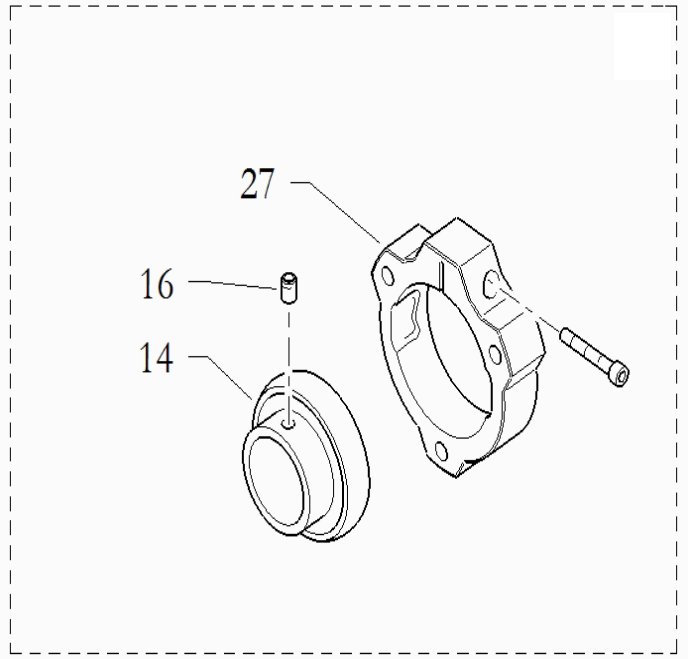
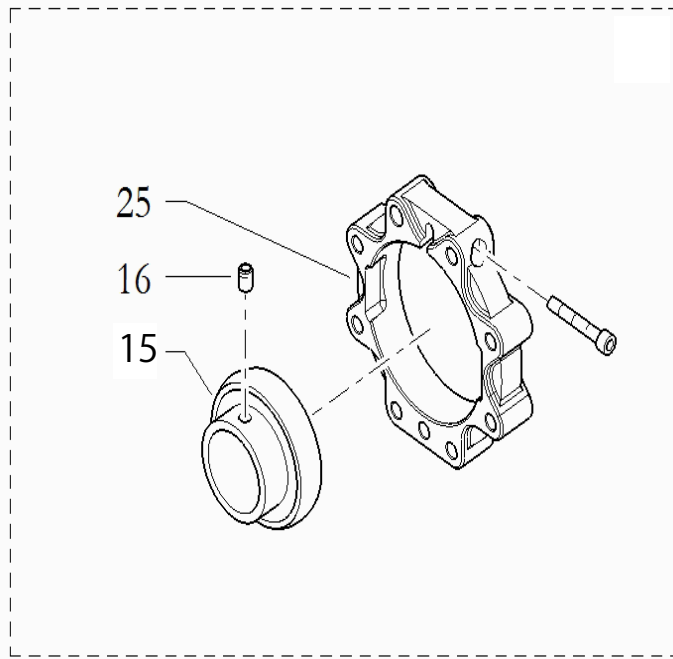
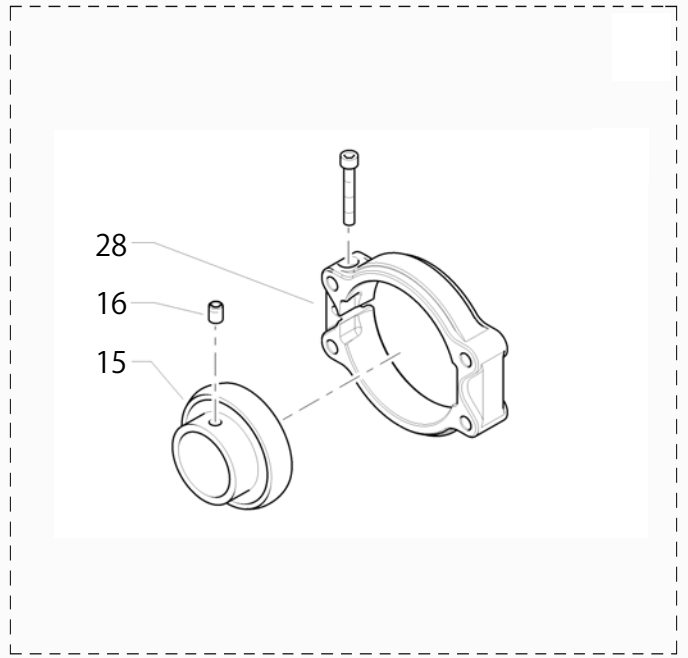
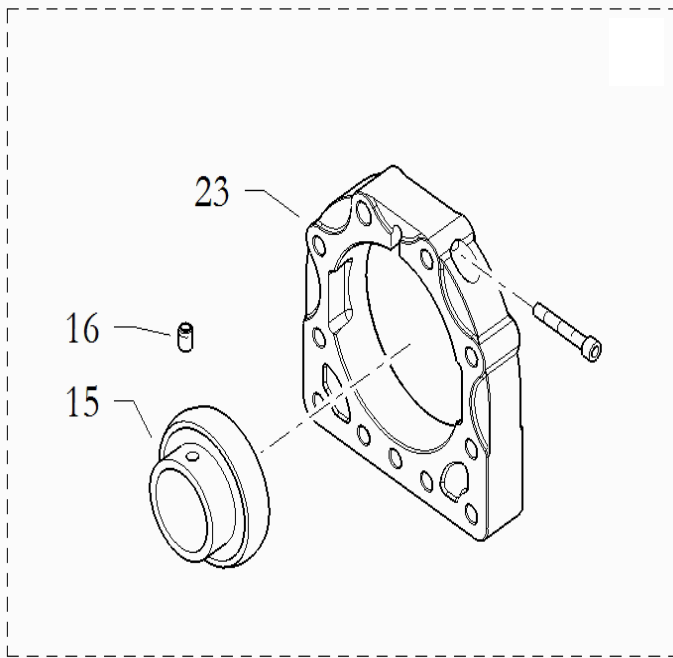


## SUPPORT-BEARING FOR AXLE

Gr.m BIR094

POS	CODE	DESCRIPTION	C28-Y	RY30-S8	TRY-III	TIA-IV	Y30L	希望小売価格 (税別)
12	40.0604.00	AXLE BEARING 30	*		*			2,800
	40.0602.00	AXLE BEARING 25						2,300
13	40.1738.00	DOWEL 6×8×0,75	*		*			100
14	10.6432.00-NE	SUPPORT AXLE BEARING 30 HQ MTS						8,200
16	10.8990.00-NE	SUPPORT AXLE BEARING 30 S HQ A MOD.2012						8,200
21	10.10933.00-NE	SUPPORT AXLE BEARING 30/25 H17 ST4 MTS 2013	*		*			8,200



## BEARING FOR AXLE

Gr.m BIR094A

POS	CODE	DESCRIPTION	C28-Y	RY30-S8	TRY-III	TIA-IV	Y30L	希望小売価格 (税別)
14	40.2519.00	AXLE BEARING 40				*		4,000
15	40.7109.00	AXLE BEARING 50/80		*			*	5,500
16	40.2921.00	DOWEL 8×1×7		*		*	*	100
23	10.11592.00-NE	SUPPORT AXLE BEARING 50/40 MTS H22 ST5		*			*	12,000
25	10.10513.00-NE	SUPPORT AXLE BEARING 50/40 MTS H22 ST4						10,800
27	10.6104.00	SUPPORT AXLE BEARING 40 HQ						7,800
27	10.6104.00-NE	SUPPORT AXLE BEARING 40 HQ MTS				*		8,200
28	10.10512.00-BL	SUPPORT AXLE BEARING 50/40 CENTRAL						10,400