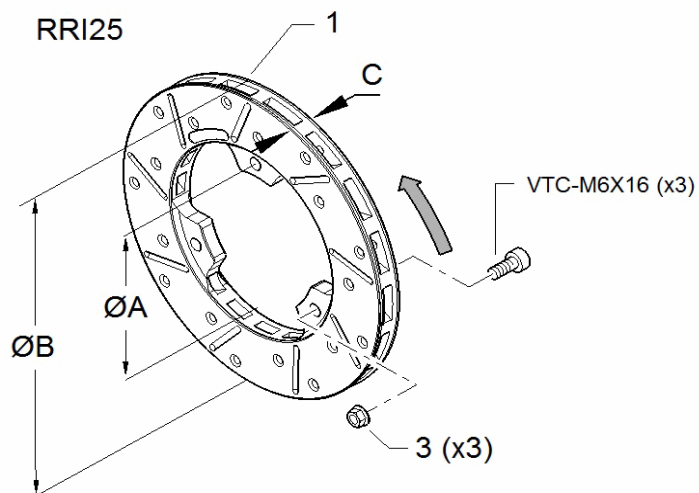


## BRAKE DISK REAR

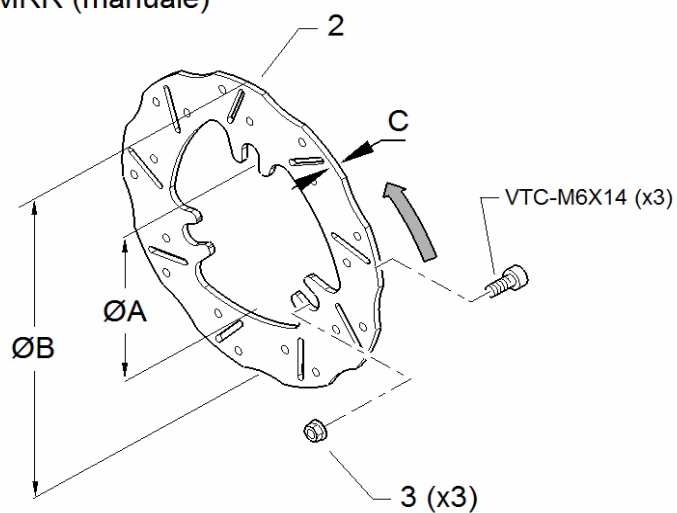
Gr. m BIR018

POS	CODE	DESCRIPTION	C28-S14	RY30-S14	L28C-Y	B25-X	TIA-IV	Y30M	希望小売価格 (税別)
1	10.10535.00	BRAKE DISK V 80×180×16 G FLOAT,ASSY.		*				*	31,400
2	20.12231.06	BRAKE DISK FIX W 80×200×6A							17,300
3	20.10930.06	BRAKE DISK 80×166×5A	*		*	*			9,200
4	20.8997.06	BRAKE DISK FIX 66×180×8A					*		13,000
5	20.10233.06	FRONT BRAKE DISK W 80×150×5 A							14,100
6	20.12795.06	BRAKE DISK FIX 66×180×4A							10,800
7	20.10534.08	BRAKE DISK V 80×180×16 G FLOAT		*				*	22,700
8	20.10536.06	SUPPORT BRAKE DISK V 80×180×16 G FLOAT		*				*	4,400
9	10.10718.00	KIT BUSHING REAR BRAKE DISK 80×180×16		*				*	4,900
10	20.0889.06	BRAKE DISK BUSHING D.14		*				*	540
11	40.10570.00	WASHER 14×22×0,3		*				*	110
12	40.9305.00	WASHER 14×20×0,5		*				*	110
13	AAE-14	CIRCLIP DIN 471(UNI7435)		*				*	110



(A x B x C) = (66 x 150 x 12)

RRI25 MRR (manuale)



(A x B x C) = (66 x 150 x 3)

## BRAKE DISK FRONT

Gr. m BIR019

POS	CODE	DESCRIPTION	C28-S14	RY30-S14	L28C-Y	B25-X	TIA-IV	Y30M	希望小売価格 (税別)
1	20.10482.08	BRAKE DISK V 66×150×12 G FIXED							18,200
2	20.10504.06	FRONT BRAKE DISK 66×150×3 A OSCILL.							8,900
3	40.6349.00	LOCK NUT M6							110